

## Errata

**Title & Document Type:** 1117B Testmobile Operating Note

**Manual Part Number:** 01117-90903

**Revision Date:** March 1977

### About this Manual

We've added this manual to the Agilent website in an effort to help you support your product. This manual provides the best information we could find. It may be incomplete or contain dated information, and the scan quality may not be ideal. If we find a better copy in the future, we will add it to the Agilent website.

### HP References in this Manual

This manual may contain references to HP or Hewlett-Packard. Please note that Hewlett-Packard's former test and measurement, life sciences, and chemical analysis businesses are now part of Agilent Technologies. The HP XXXX referred to in this document is now the Agilent XXXX. For example, model number HP8648A is now model number Agilent 8648A. We have made no changes to this manual copy.

### Support for Your Product

Agilent no longer sells or supports this product. You will find any other available product information on the Agilent Test & Measurement website:

[www.agilent.com](http://www.agilent.com)

Search for the model number of this product, and the resulting product page will guide you to any available information. Our service centers may be able to perform calibration if no repair parts are needed, but no other support from Agilent is available.



**Agilent Technologies**

OPERATING NOTE/MARCH 1977

**1. GENERAL INFORMATION.**

2. Testmobile Model 1117B (figure 1) will accommodate regular cabinet equipment on top and standard 19-inch rack panels in the front and rear. For easy viewing, the top shelf may be tilted from 15 degrees below to 30 degrees above horizontal in 7-1/2 degree steps. The tilt shelf is unlocked by pulling on the actuator handle. It will lock automatically when the handle is released.

*Table 1. Model 1117B Specifications*

<b>WEIGHT:</b> 41.3 kg (91 lb).
<b>HEIGHT:</b> 994 mm (39-1/8 in.).
<b>WIDTH:</b> 511 mm (20 in.).
<b>DEPTH:</b> 660 mm (26 in.).
<b>POWER:</b> 15 amperes (total) at 130 volts (through four standard NEMA connectors).
<b>RACK-MOUNTING DEPTH:</b> 584 mm (23 in.).

**3. ACCESSORIES AVAILABLE.**

4. The following accessories are available for the 1117B:

- Model 10475A 7.6 cm (3 in.) drawer
- Model 10476A 20.3 cm (8 in.) drawer

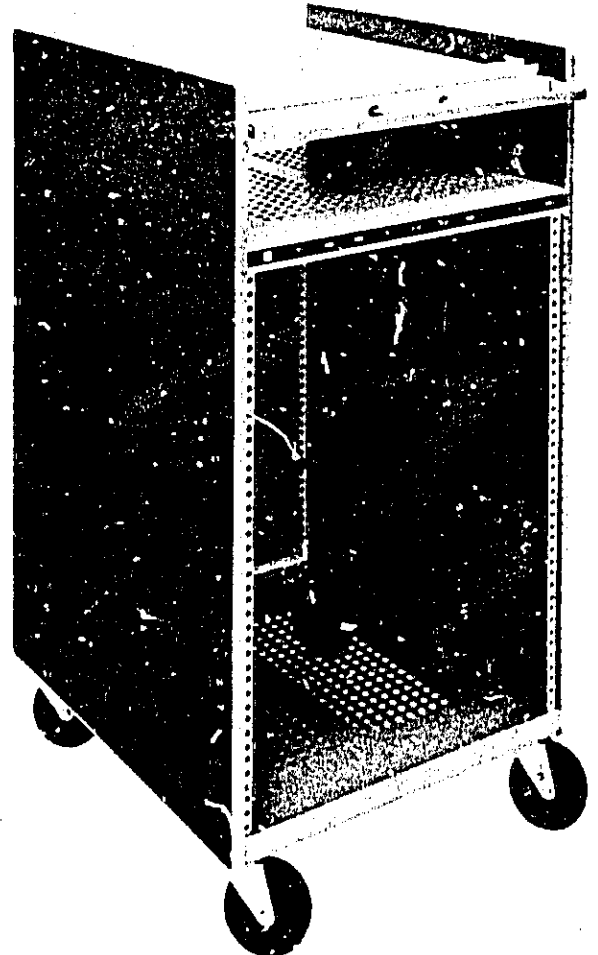
**5. INSTALLATION OF EQUIPMENT.**

6. The testmobile is shipped completely assembled and ready to use. To install an HP instrument on the tilt shelf, proceed as follows:

- a. Remove middle foot on bottom front of instrument. (Refer to instructions printed on foot.)
- b. Set two remaining front feet of instrument into channel on top of tilt shelf.
- c. Secure clamps at each side of tilt shelf over instrument frame and tighten.

7. If no instruments (or accessory drawers) are rack mounted in the testmobile, the rear cover may be removed and reinstalled on the front as shown in figure 2.

8. Fasteners and screws are supplied (in a cloth bag) with the testmobile. These are to be used to rack-mount instruments (either full modular width or

*Figure 1. Model 1117B Testmobile*

using an HP rack adapter frame) in the front or rear of the testmobile.

**CAUTION**

Air circulation holes are provided in the top and bottom decks of the testmobile. If danger of overheating exists, increased air circulation can be obtained by removing the rear cover.

**9. REPLACEABLE PARTS.**

10. Replaceable parts for the testmobile are illustrated in figure 2 and listed in table 2. To order a re-

Operating Note Part No. 01117-90903  
Microfiche Part No. 01117-90803



Model 1117B

placement part, address the order or inquiry to the nearest Hewlett-Packard Sales/Service Office, and specify the HP part number for each part. To order a component not listed in table 2, provide the following information:

- a. Model number of testmobile.
- b. Complete serial number of testmobile.
- c. Description of component, including function and location in the equipment.

**11. PARTS REMOVAL INFORMATION.**

12. Some general assembly/disassembly considerations are listed in a through c of this paragraph:

- a. Side panels are held in place by canoe clips which pop out when pressed from the back side.
- b. To remove the entire tilt shelf assembly, remove side panels and four (two on each side) cotter pins. See figure 2.
- c. Handle grips cannot be removed from the handle without breaking. Replacement grips will snap in place when pressed firmly.

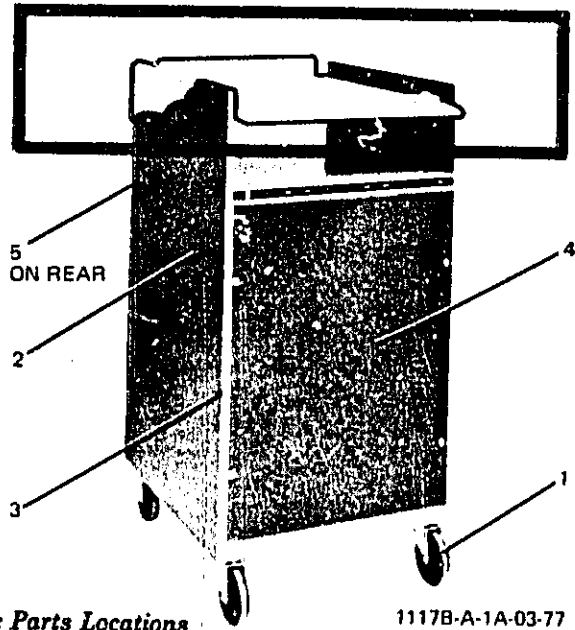
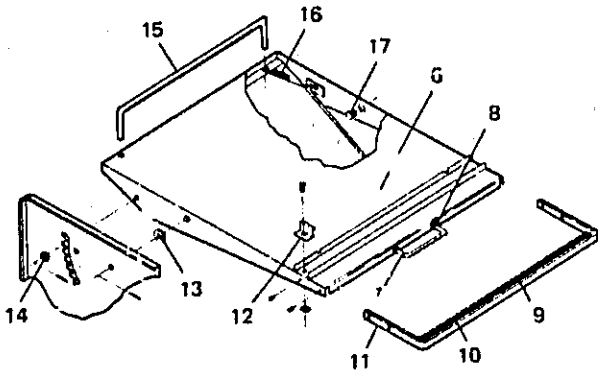


Figure 2. Replaceable Parts Locations

1117B-A-1A-03-77

Table 2. Model 1117B Replaceable Parts

Index No.	HP Part No.	Description	TQ
1	1490-0051	CASTER	4
2	01117-00207	SIDE PANEL	2
3	0510-0730	CANOE CLIP	8
4	01117-00206	REAR COVER	1
*5	0950-0122	POWER BOX	1
6	01117-60405	TILT SHELF ASSEMBLY	1
7	01117-251C1	ACTUATOR	1
8	0400-0084	SNAP BUSHING	2
9	01117-44903	HANDLE GRIP (CENTER)	1
10	01117-44901	HANDLE GRIP (CORNER)	2
11	01117-04901	HANDLE (Also order index nos. 9 and 10, see par. 17c.)	1
12	01117-01203	CLAMP BRACKET	2
13	01117-08803	PIVOT WASHER	2
14	01117-08802	DETENT WASHER	2
15	1490-0037	STOP BAR	1
16	1460-0142	EXTENSION SPRING	2
17	01117-25001	HINGE PIN	2
**	0590-0172	TINNERMAN NUT	12
**	2731-0002	SCREW, MACHINE	12
**	3050-0007	WASHER, CUP, CHROME	12
**	3050-0248	WASHER, CUP, NYLON	12

} For attachment of front/rear panel and rack mounted instruments.

\* Located on rear of top deck

\*\* Not shown